

Features

- Freestanding design creates a striking focal point in your bathing area.
- Integral lumbar support on both ends.
- 17" (432 mm) depth offers a deep soaking experience.
- Wide deck along one side simplifies installation and provides support for getting in and out of bath.
- Straight shroud.
- Textured bottom surface.
- Center drain.

Material

- Acrylic.

Installation

- Freestanding.

Recommended Products/Accessories

- K-7265 Brass toe tap bath drain
- K-37385 rough-in cable drain, PVC, 45" cable
- K-24916 Wireless Music Kit
- K-23726 Drain treatment
- K-23732 Tub & shower cleaner



Codes/Standards

CSA B45.5/IAPMO Z124
ASTM E162
ASTM E662



KOHLER® Plastic Baths and Shower Bases Lifetime Limited Warranty

See website for detailed warranty information.


Available Colors/Finishes

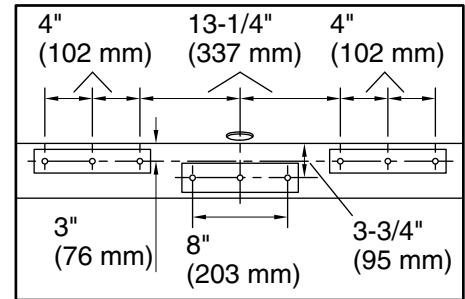
Color tiles intended for reference only.

Color	Code	Description
-------	------	-------------

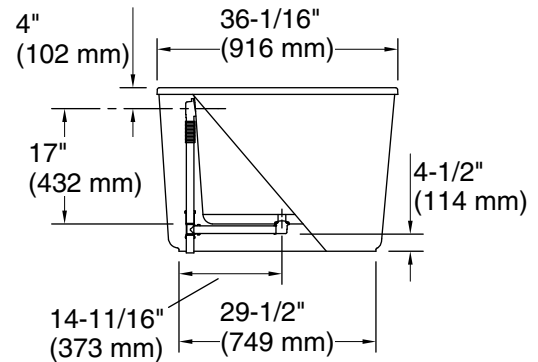
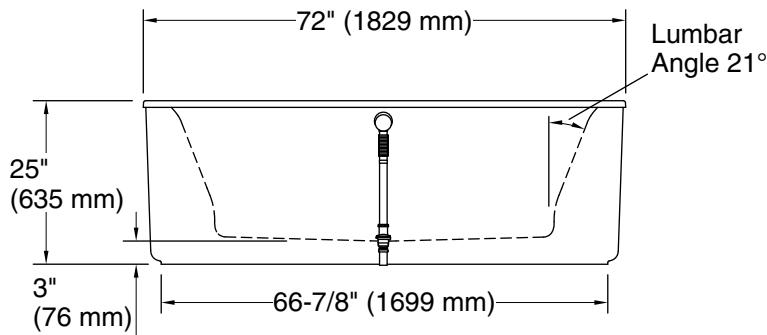
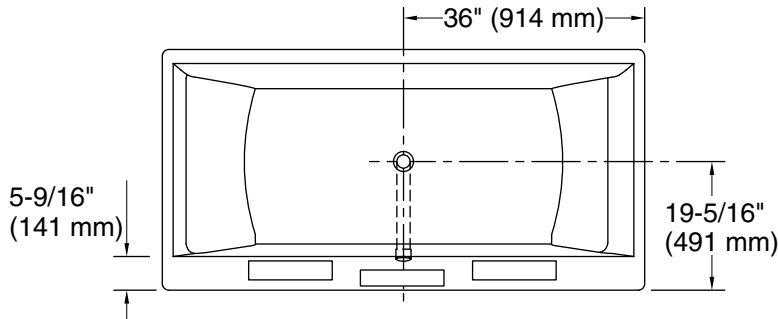
	0	White
	96	Biscuit

No change in measurements if connected with drain illustrated. (K-7265)

 Recommended Faucet Location



Recommended Faucet Hole Location



Technical Information

All product dimensions are nominal.

Installation:	Freestanding
Drain location:	Center
Basin area, bottom:	50" x 25-1/2" (1270 mm x 648 mm)
Basin area, top:	61" x 27-1/2" (1549 mm x 699 mm)
Weight:	152 lbs (68.9 kg)
Minimum floor load:	48.8 lbs/ft ² (238.3 kg/m ²)
Water depth:	15-11/16" (399 mm)
Water capacity:	90 gal (340.7 L)
Template:	Footprint, 1245664, not required, not included

Notes

Measure your actual product for rough-in details.

Install this product according to the installation instructions.

The hot water supply should be 70% of the capacity of the bath or greater. Installations will vary.

This bath is designed for freestanding installation only.

Do not support the load weight of the bath by the rim.

If installing a rim-mount faucet, make sure there is no interference above or below the deck before drilling any holes.